

# Using Your LaurSTAR for the First Time

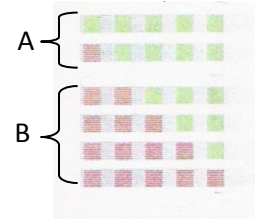
## Testing water:

Before using your LauraSTAR iron, test the tap water to be used to see if filtering granules are necessary.

Take the test strip found on the back page of the enclosed Guarantee booklet and dip in a glass of water for 1 second. Remove, wait for 1 minute and look at the strip.

If all the squares stay green, or just one turns a different color as shown in figure A, **no** granules are required.

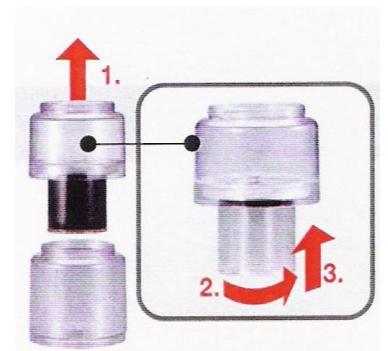
If more than one square turns a color other than green, granules are required as shown in figure B.



Follow the directions below for filling the granule filter container.

## Adding or Replacing granules:

1. Remove the lid of the Aqua and unscrew the top from the bottom of the Filter as shown in figure 1. The procedure is similar for the Generator styles of irons.
2. Next, twist the filter to remove it from the water reservoir as shown in figure 2. (For the System styles of LauraSTARs, just lift out the filter.) The granule container then gets pushed through the water reservoir as shown in figure 3 to be removed completely.
3. Take off the top as shown in figure 4 and add ONLY 1/3 of the package of granules to the filter as show in figure 5. It is extremely important that no more than 1/3 of the package of granules is used in the filter.
4. Put the lid on the filter, place the filter in the water reservoir and secure. Place in the unit.
5. When water is poured into the water reservoir, it should trickle down through the granules and collect at the bottom section of the AQUA or continue on into the Generator or Boiler of the System style.
6. When granules turn a bronze color, it is time to replace the granules.



**Warning:** Keep out of the reach of children.



Never consume granules.

